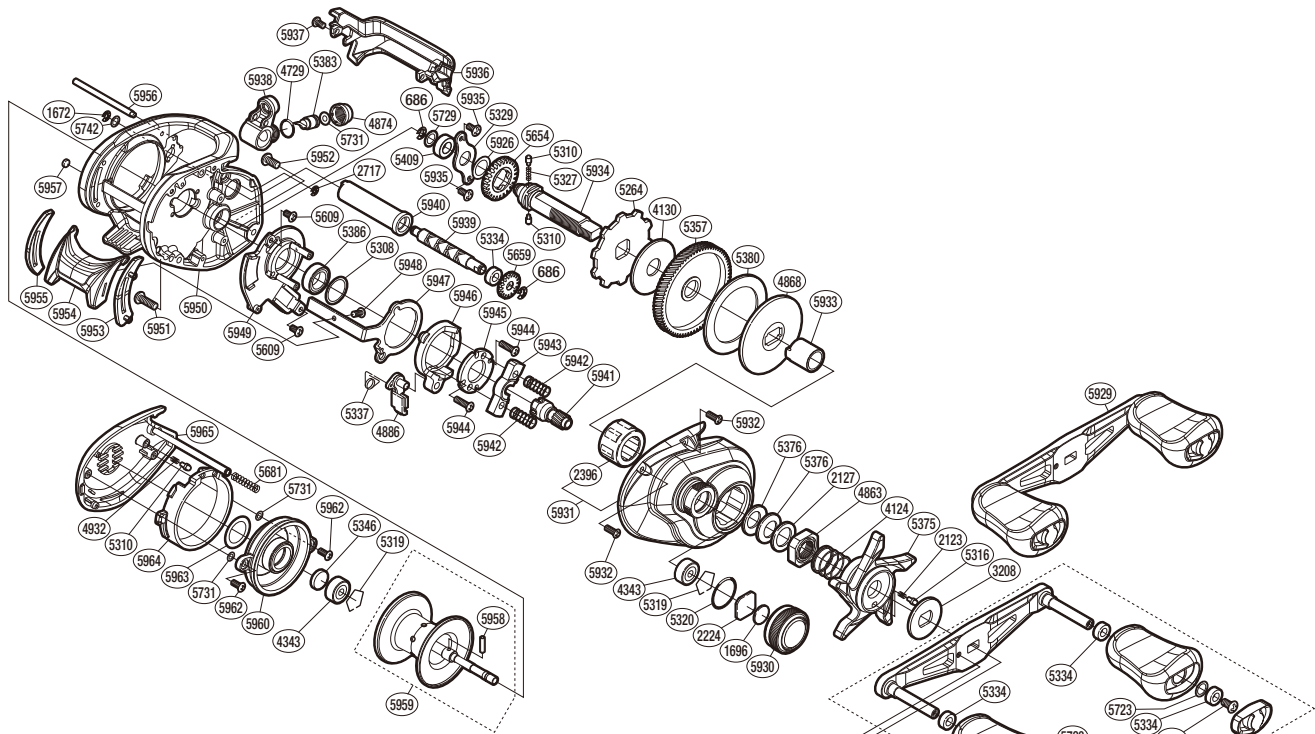


SHIMANO

SLX SA-RB

SLX150XG



(51RL152150X)

Please note that the number of adjusting washers may not be the same as shown in the exploded views. (Adjustment will vary with each individual product.)

The (5958) Spool clutch pin, and (2396) Roller clutch cannot be replaced by the customer. To replace these parts, please request after-sales service.

| Part No. | Description | Part No. | Description | Part No. | Description |
|----------|--------------------------|----------|---------------------------|----------|---------------------------|
| BNT0686 | E Lock | BNT5375 | Star Drag | BNT5939 | Worm Shaft |
| BNT1672 | E Lock | BNT5376 | Drag Spring Washer | BNT5940 | Level Wind Guard |
| BNT1696 | Cast Control Spacer (B) | BNT5380 | Drag Washer | BNT5941 | Pinion Gear |
| BNT2123 | Click Spring | BNT5383 | Line Guide Pawl | BNT5942 | Yoke Spring |
| BNT2127 | Star Drag Spacer | BNT5386 | Ball Bearing | BNT5943 | Yoke |
| BNT2224 | Spool Tension Spacer (A) | BNT5409 | Drive Shaft Bushing | BNT5944 | Screw |
| BNT2396 | Roller Clutch Bearing | BNT5609 | Screw | BNT5945 | Clutch Cam Retainer |
| BNT2717 | E Lock | BNT5640 | Screw | BNT5946 | Clutch Cam |
| BNT3208 | Star Drag Click Plate | BNT5641 | Handle Nut Plate | BNT5947 | Clutch Plate |
| BNT4124 | Star Drag Spring | BNT5654 | Idle Gear | BNT5948 | Screw |
| BNT4130 | Drag Washer | BNT5659 | Idle Gear | BNT5949 | Clutch Guard Assembly |
| BNT4343 | Ball Bearing | BNT5681 | Spring | BNT5950 | Frame |
| BNT4729 | O Ring | BNT5713 | Handle Knob Seal | BNT5951 | Screw |
| BNT4863 | Star Drag Nut | BNT5714 | Screw | BNT5952 | Screw |
| BNT4868 | Key Washer | BNT5723 | Washer | BNT5953 | Clutch Bar Guide B |
| BNT4874 | Pawl Cap | BNT5729 | Washer | BNT5954 | Clutch Button |
| BNT4886 | Clutch Pawl | BNT5731 | Washer | BNT5955 | Clutch Bar Guide A |
| BNT4932 | Click Spring | BNT5742 | Washer | BNT5956 | Stabilizer Bar |
| BNT5264 | Anti-Reverse Ratchet | BNT5926 | Washer | BNT5957 | Washer |
| BNT5308 | Washer | BNT5928 | Handle Nut | BNT5958 | Spool Pin |
| BNT5310 | Idle Gear Pin | BNT5929 | Handle Assembly | BNT5959 | Spool Assembly |
| BNT5316 | Click Pin | BNT5930 | Cast Control Cap | BNT5960 | Dial Case |
| BNT5319 | Bearing Retainer | BNT5931 | Right Side Plate Assembly | BNT5962 | Screw |
| BNT5320 | O Ring | BNT5932 | Screw | BNT5963 | Washer |
| BNT5327 | Idle Gear Spring | BNT5933 | Roller Clutch Inner Tube | BNT5964 | Left Side Plate Cam Lever |
| BNT5329 | Drive Shaft Retainer | BNT5934 | Drive Shaft | BNT5965 | Left Side Plate Assembly |
| BNT5334 | Bushing | BNT5935 | Screw | | |
| BNT5337 | Clutch Pawl Spring | BNT5936 | Level Wind Protector | | |
| BNT5346 | Spacer B | BNT5937 | Screw | | |
| BNT5357 | Drive Gear | BNT5938 | Line Guide Assembly | BNT4692 | B-100 Oil (Accessory) |